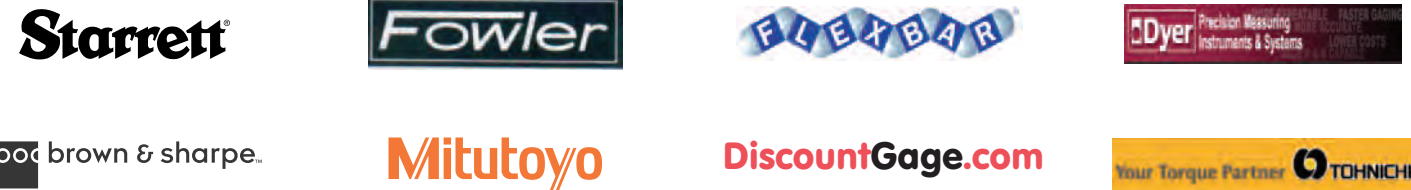


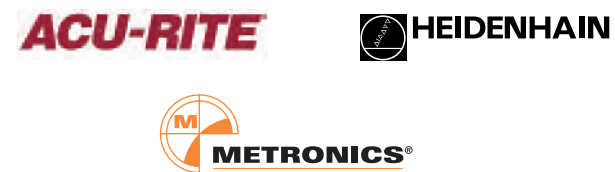


**HAND TOOLS, MEASURING EQUIPMENT**



CDI, Defelsko, Diatest, Imada, Interapid, Lista Cabinets, Mueller Gage, Rack, Spi, S-T, Universal Punch, Visual Precision

**SCALES, DRO & RETROFITS**



**FIXED LIMIT GAGING**



**AIR GAGING, AUTOMATION, CUSTOM SOLUTIONS**



**STATISTICAL PROCESS CONTROL (SPC)**



**CMM STYLI, PROBE HEADS, MACHINE TOOL PROBES**



**THREADED INSERTS**



**FORM, SURFACE, CONTOUR, ROUNDNESS, HARDNESS**



**SERVICE AND CALIBRATION**

- Buy/Sell • Equipment Repair
- Used Equipment Sales
- Consignment Sales • Calibration Services



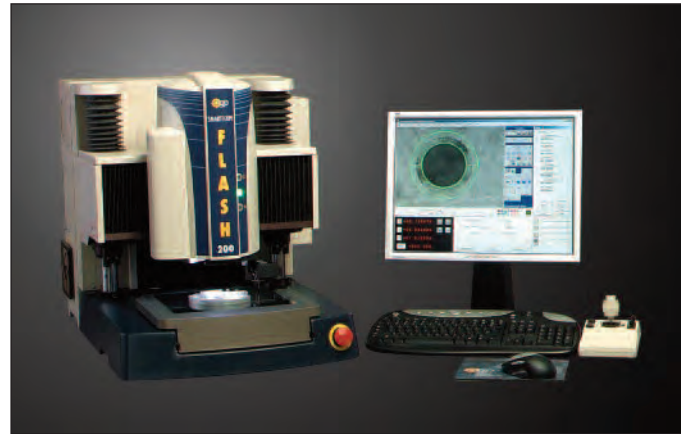
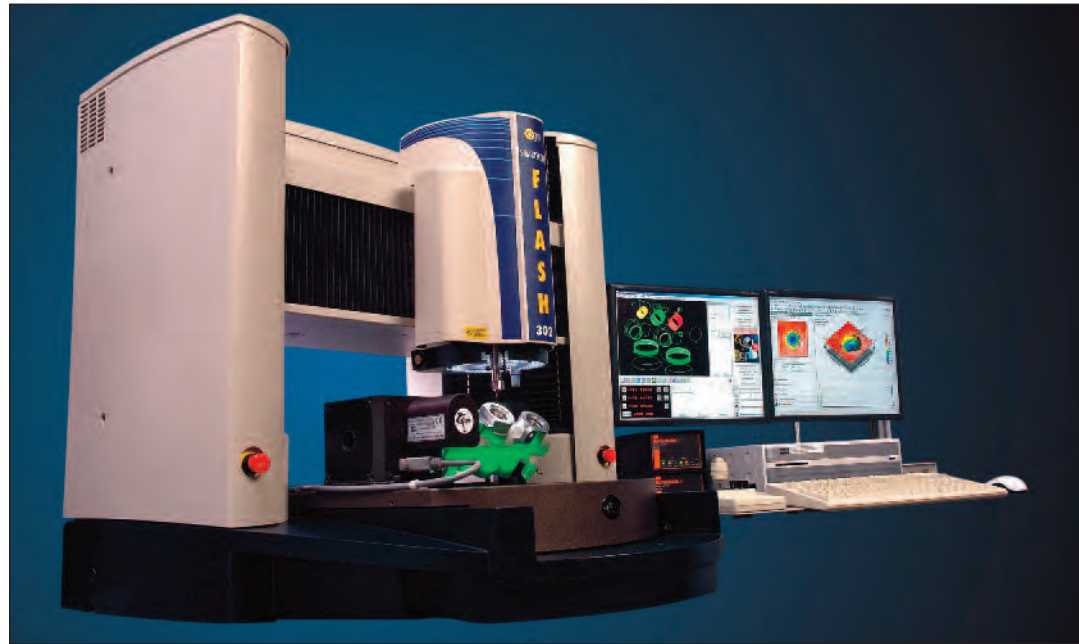
# Metrology Solutions

Over seventy years of service, providing the best names in Metrology, with knowledgeable and caring people is what makes Hammond Company the smart choice for manufacturers.

755 Larry Court ■ Waukesha, Wisconsin 53186 ■ (p) 262.798.4243 ■ (f) 262.798.4242 ■ www.hammondcompany.com

## CUSTOM INSPECTION & REVERSE ENGINEERING

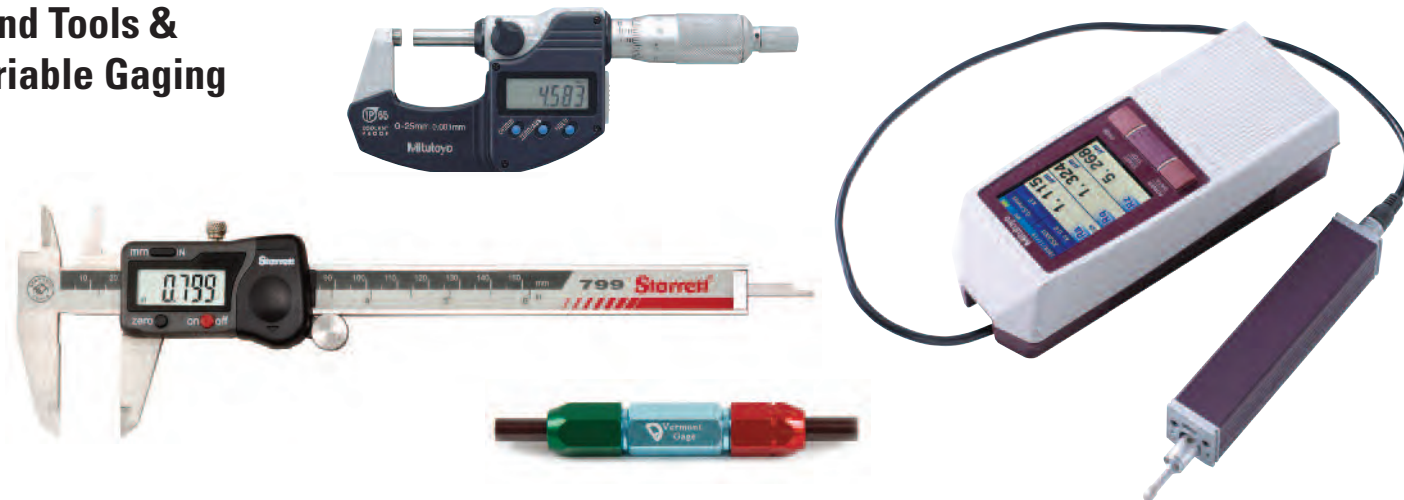
- Full production or engineering inspection support using the best equipment available
- CMM, OGP Vision, Renishaw SP25 Scanning, point and line lasers



### CMM & Vision Turn-key Programming & Training

- Custom turn-key CMM and Vision software program solutions
- PC-DMIS, Measure-X, Measuremind 3D, Metris/LK Camio, Sheffield Measuremax, Zeiss Calypso, Open,-DMIS, Metronics QC-5000, Geomet, RAM

### Hand Tools & Variable Gaging

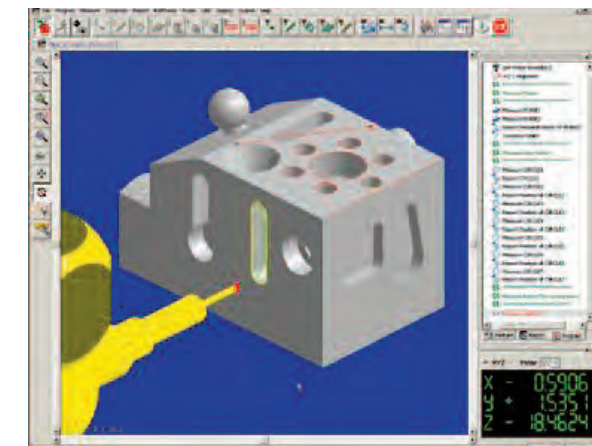
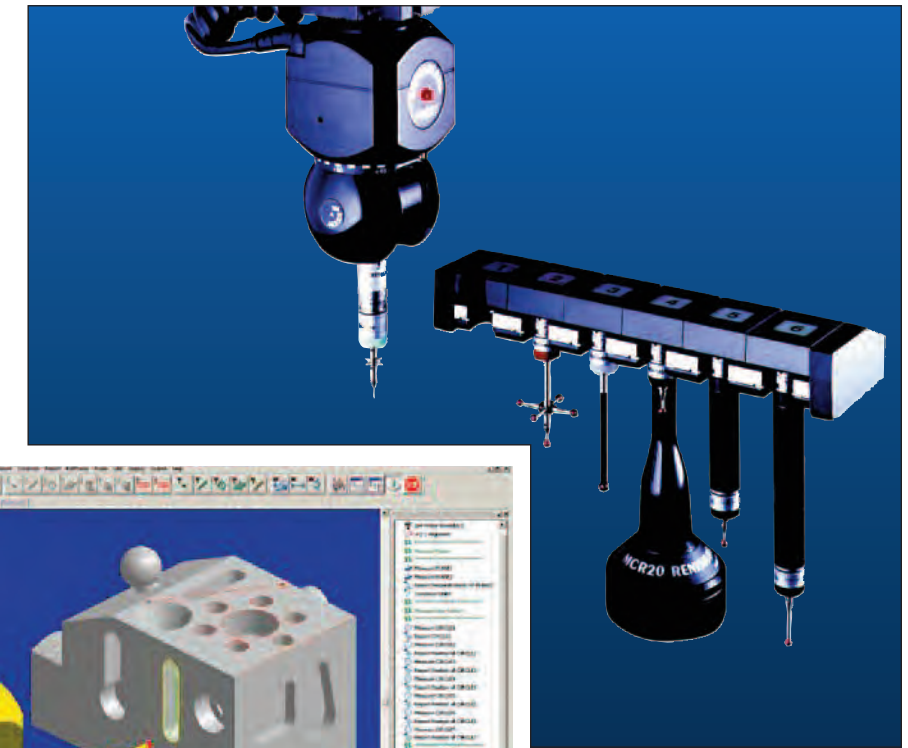


## COORDINATE MEASURING MACHINE SALES



### UPGRADE AND RETROFIT SOLUTIONS

- Metronics QC-5000 for Manual CMM
- Geomet for manual
- Metris Camio for DCC CMM
- Geomet for DCC CMM
- Integrate Quality, CMM Manager for DCC CMM
- OGP Software Suite for Vision for OGP/AM and others
- Metronics QC-300 for Vision
- Renishaw CMM Touchprobe upgrades
- Metronics Quadrachek for Comparators and Microscopes
- Fully supported with installation and training



### Custom Gage Design & Integration

- We provide custom In-house gage or fixture design ensuring your best low cost solution
- Custom gage integration with robotics, in-line automated gaging, or user friendly interfaces

### Gage Repair

Hand Tools • Vision • CMM • Comparators

### N.I.S.T. Gage Calibration

Plugs • Pins • Rings • Threads

### ISO 17025 Accredited Calibration

### Optical Gaging Products

### Vision Systems

### Factory Authorized



### Metronics equipped Vision Products

### Optical Comparators

- Certified Comparator Products
- OGP
- Starrett
- Mitutoyo
- Scherr-Tumico
- Jones & Lamson
- Gagmaster

### Microscopes

- Nikon
- Mitutoyo
- Keyence



755 Larry Court ■ Waukesha, Wisconsin 53186 ■ (p) 262.798.4243 ■ (f) 262.798.4242 ■ www.hammondcompany.com



755 Larry Court ■ Waukesha, Wisconsin 53186 ■ (p) 262.798.4243 ■ (f) 262.798.4242 ■ www.hammondcompany.com